

IP65 Pendant downlights for
catenary systems



OUTDOOR

Pendant downlights for catenary systems

Aerial

- Pendant downlights with symmetrical light distribution.
- Cylindrical design available in 2 diameters 180mm and 235mm.
- Protection rating against dust and moisture: complete IP65.
- Protection rating for resistance to harmful mechanical impacts: IK07.
- Robust body and trim made of die-cast aluminium treated against corrosion and coated with polyester powder available in various colour finishes, customized RAL under request.
- Special C5-M coating for environments with very high corrosivity is available under request.
- High-purity aluminium reflectors in various finishes depending on the beam angle outcome.
- 5mm tempered protection glass clear as standard, other finishes under request.
- Polycarbonate diffuser as option to get IK10 protection degree.
- Temperature resistant silicone rubber gasket.
- Anti-condensation device.
- Optional supply of 304 stainless steel vandal-resistant screws.
- Integral driver included.
- Passive temperature management: heat dissipation via the fixture body itself.
- Cable hanger made in stainless steel 316L. Adjustable 0°, 5°, 10°, 15° or 20° to compensate for sloping catenary system.
- Cable entry from the top of the fixture. Double cable gland entry for installation in series.

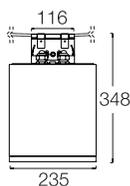
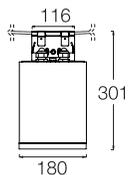
Suggested applications

Arcades, galleries, passageways, streets, tunnels, outdoor spaces.
Interior spaces that require low-maintenance.

More information

rovasi.com/en/products/aerial

Technical details



26°	39°	77°	112°
11W : min 1960lm <> max 2125lm			
17W : min 2755lm <> max 2990lm			
24W : min 3780lm <> max 4105lm			

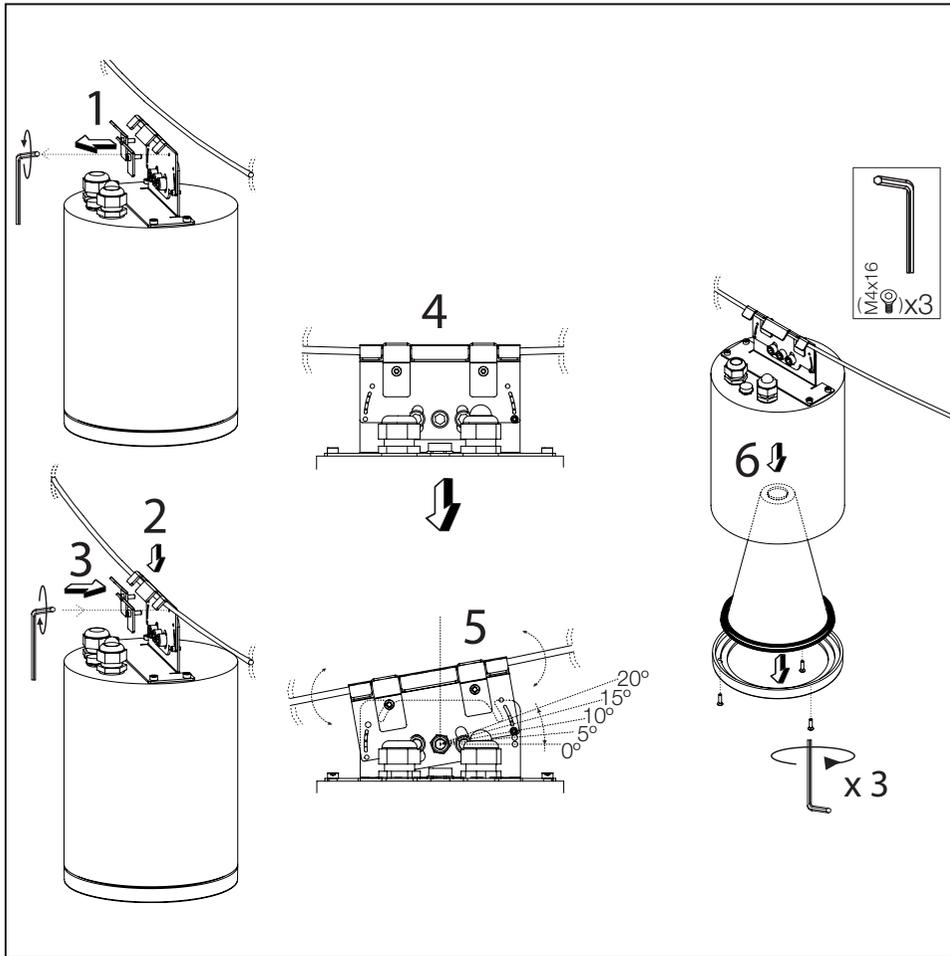
13°/16°	27°/27	36°/38°	96°/97°	109°
11W : min 1960lm <> max 2125lm				
17W : min 2755lm <> max 2990lm				
23W : min 3900lm <> max 4235lm				
35W : min 5710lm <> max 6200lm				

Electronic options

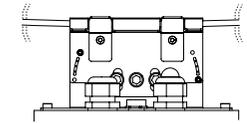
On/Off.
DALI.

Accessories and finishes

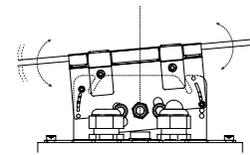




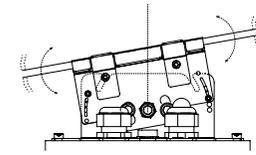
• Cable hanger made in stainless steel 316L. Adjustable 0°, 5°, 10°, 15° or 20° to compensate for sloping catenary system.



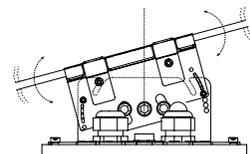
0°



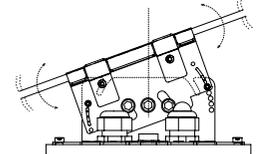
5°



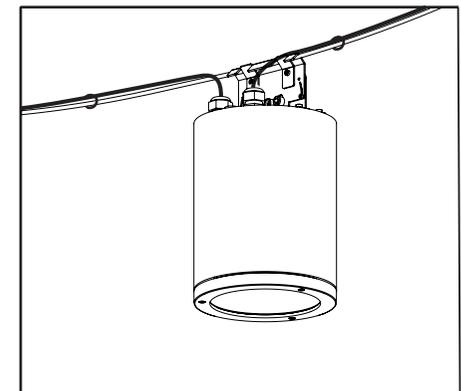
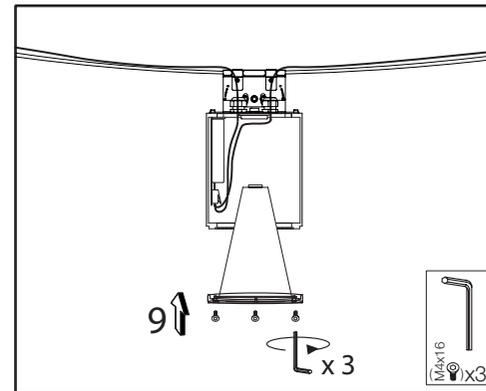
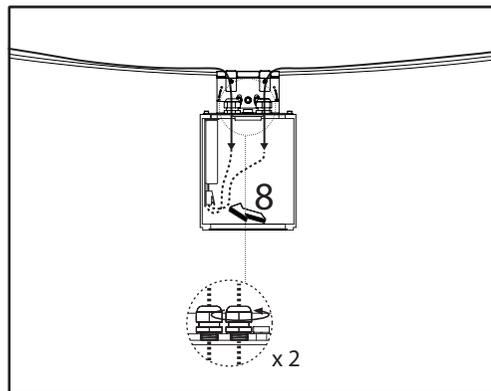
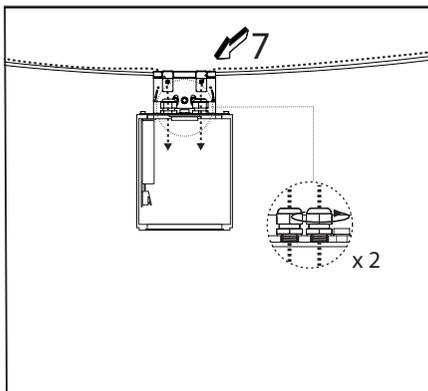
10°

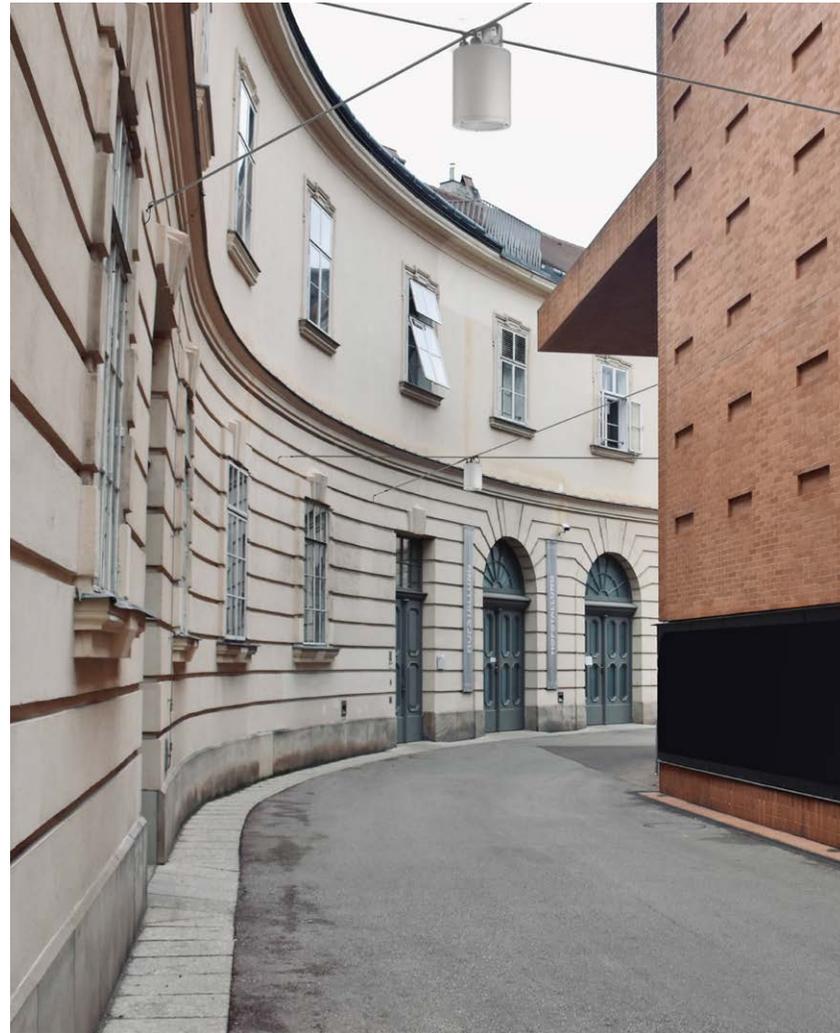


15°



20°





Arcades, galleries, passageways, streets, tunnels, outdoor spaces. Interior spaces that require low-maintenance.



OUTDOOR

Pendant downlights for catenary systems

Aerial SQ

- Pendant downlights with symmetrical light distribution.
- Cubic design available in 2 sizes: 212mm x 212mm and 277mm x 277mm.
- Protection rating against dust and moisture: complete IP65.
- Protection rating for resistance to harmful mechanical impacts: IK07.
- Robust body and frame made of die-cast aluminium treated against corrosion and coated with polyester powder available in various colour finishes, customized RAL under request.
- Special C5-M coating for environments with very high corrosivity is available under request.
- High-purity matt anodised aluminium reflector.
- 5mm tempered protection glass clear as standard, other finishes under request.
- Polycarbonate diffuser as option to get IK10 protection degree.
- Temperature resistant silicone rubber gasket.
- Anti-condensation device.
- Optional supply of 304 stainless steel vandal-resistant screws.
- Integral driver included.
- Passive temperature management: heat dissipation via the fixture body itself.
- Cable hanger made in stainless steel 316L. Adjustable 0°, 5°, 10°, 15° or 20° to compensate for sloping catenary system.
- Cable entry from the top of the fixture. Double cable gland entry for installation in series.

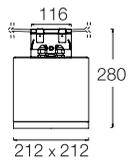
Suggested applications

Arcades, galleries, passageways, streets, tunnels, outdoor spaces.
Interior spaces that require low maintenance.

More information

rovasi.com/en/products/aerial_sq

Technical details



50°/51° 72°/74°

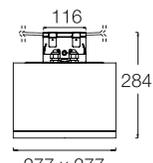


11W : min 1960lm <> max 2125lm

17W : min 2755lm <> max 2990lm

23W : min 3900lm <> max 4235lm

35W : min 5710lm <> max 6200lm



62°/63°



11W : min 1960lm <> max 2125lm

17W : min 2755lm <> max 2990lm

23W : min 3900lm <> max 4235lm

35W : min 5710lm <> max 6200lm

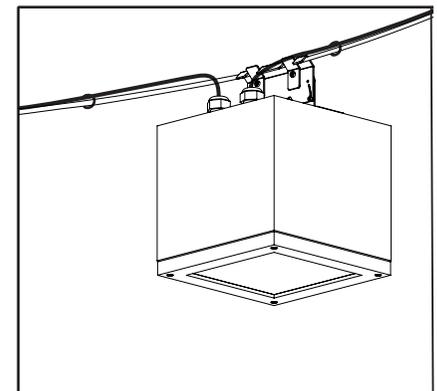
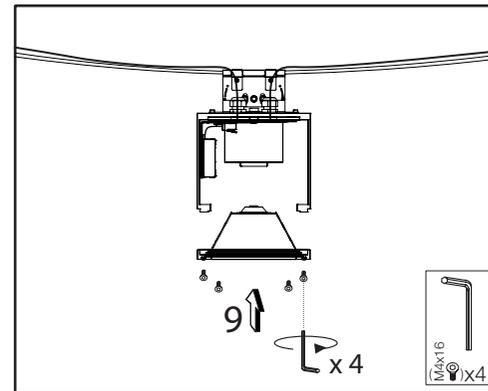
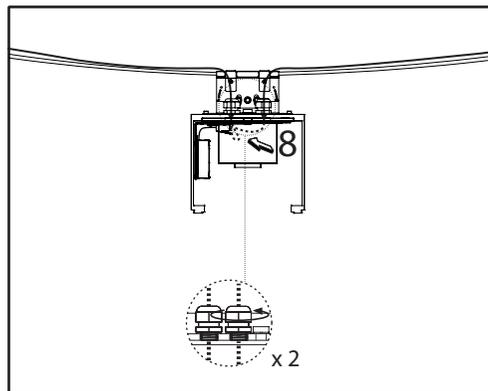
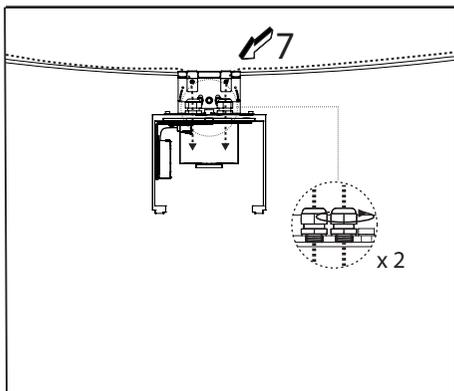
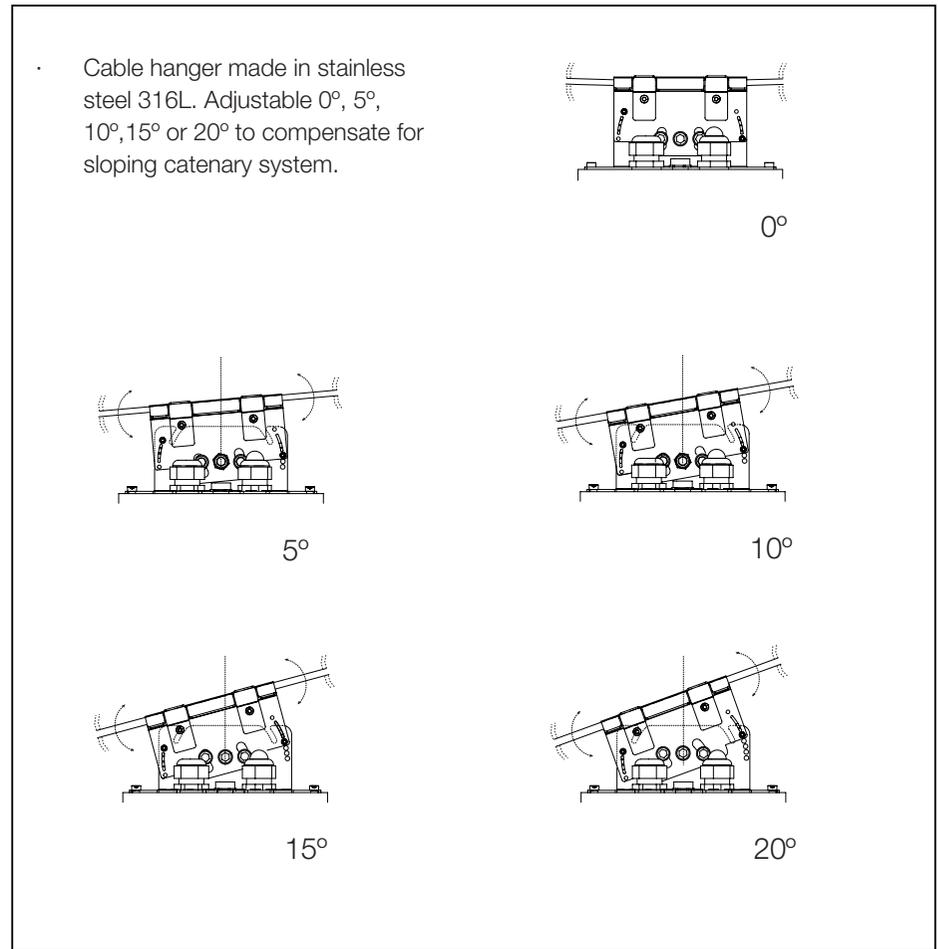
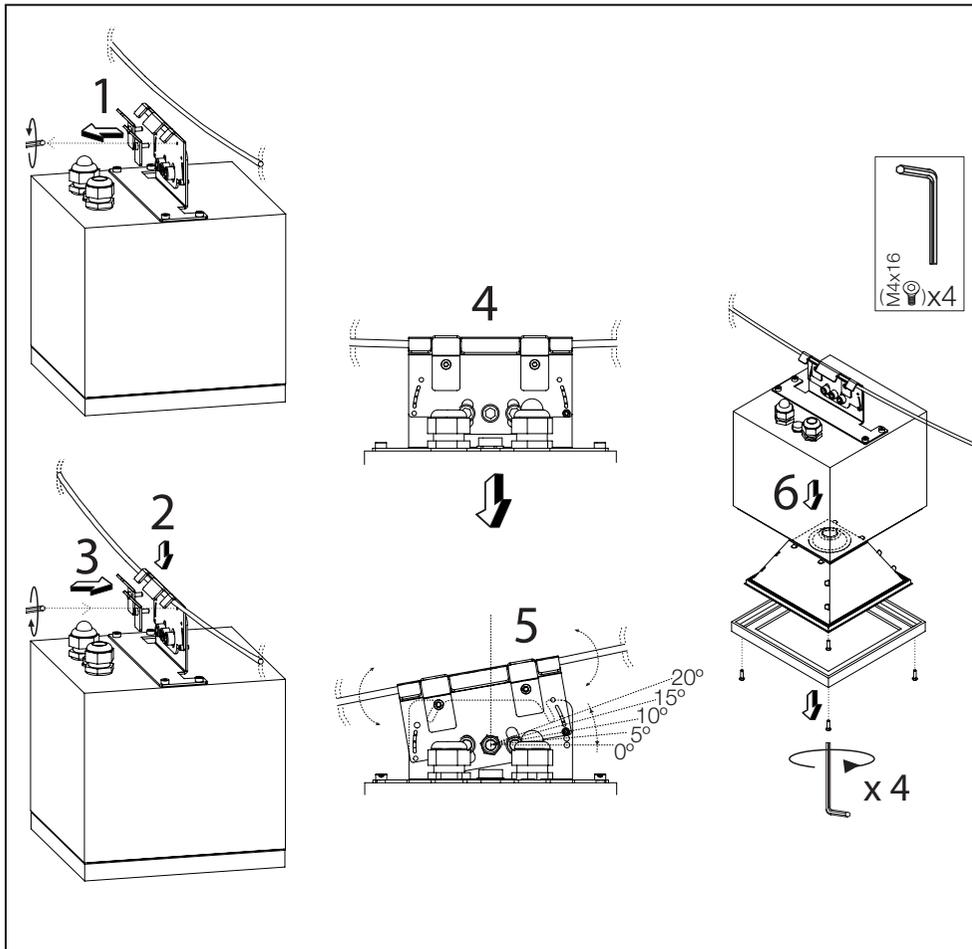
48W : min 7440lm <> max 8080lm

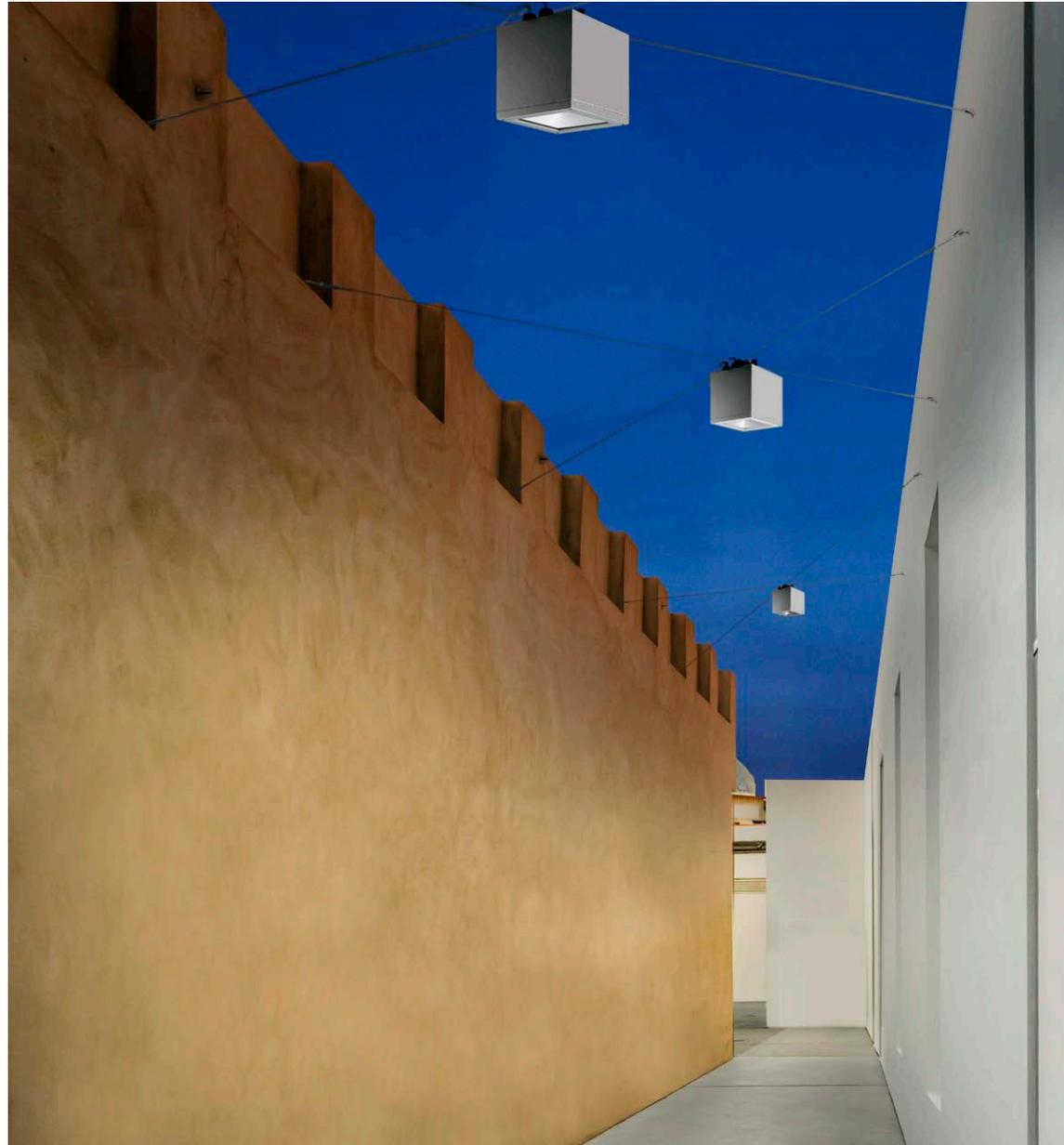
Electronic options

On/Off.
DALI.
Emergency kit.

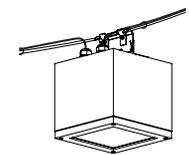
Accessories and finishes







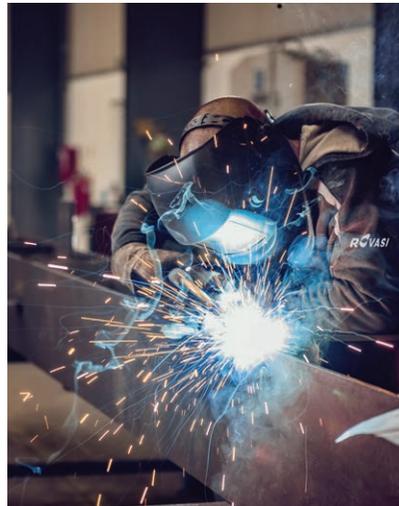
Suggested applications : arcades, galleries, passageways, streets, tunnels, outdoor spaces. Interior spaces that require low-maintenance.



Aerial Sq

Bespoke solutions

If we don't already have it, we create it



The engineer from our technical team and the adaptability of our installations enable us to study, design and manufacture custom lighting systems based on the requirements and needs of each project.

Our **installations** are fully equipped with the necessary resources and the best **specialised professionals** to take on any custom order. Every project is painstakingly studied by our **technical team**, involving all stages of the creative and productive process: conceptualisation and **design of our products**; 3D modelling; prototype manufacture; and successful final production of the new product.

We develop **custom products** based on the requirements and needs of each project, and do so in partnership with everyone involved in the lighting project (lighting designers, architects and engineers). We always **adapt** to the needs of the project, manufacturing a new product from the ground up based on a simple functional description or working from sketches provided by a customer or external designer.

Furthermore, we can make minor modifications to products that already exist or create entirely new ones based on your design criteria.

FINISHES



RAL1015
Light
Ivory



RAL1021
Colza
Yellow



RAL1026
Luminous
Yellow



RAL1036
Pearl Gold



RAL2000
Yellow Orange



RAL2002
Vermilion



RAL3026
Luminous
Bright Red



RAL4003
Heather Violet



RAL4006
Traffic Purple



RAL5002
Ultramarine
Blue



RAL5012
Light
Blue



RAL 5018
Turquoise
Blue



RAL6005
Moss
Green



RAL6010
Grass
Green



RAL6018
Yellow Green



RAL7011
Iron
Grey



RAL7016
Anthracite
Grey



RAL7032
Pebble
Grey



RAL8017
Chocolate
Brown



RAL8022
Black
Brown



RAL9003
Signal
White



RAL9005
Jet
Black



RAL9006
White
Aluminium



RAL9010
Pure
White



RAL9016
Traffic
White



Satin
Bronze



STAINLESS STEEL 316L Marine Grade

Available for: Watertight, Watertight Shallow, Watertight SQ, Dot, Lotus, Terra, Terra SQ, Victoria and Lithos.



+ C5-M (Marine) COATING

Special coating for environments with very high corrosivity. Areas near to the coast and spaces with high salinity.



Other RAL colors or product finishes are available upon request.

PICTOGRAM

Technical elements

 CRI >90 Colour rendering index

 3000K Colour temperature

 SDCM 3 Chromaticity tolerance

 IP20 Protection degree

 IK10 Impact resistance

 A++ Energy efficiency class

Accessories and finishes

 + IK 10 IK enhanced protection

 + INSTAL Installation accessories

 + ELEC Electronic options

 +RAL RAL finishes available

 + C5-M Special coating for very high corrosivity environments

Beam angle

 10° - 19°: SP (spot)

 10° - 19°: SP (Spot) bidirectional

 Ground illumination, 1 sector

 Radial beam

 20° - 29°: NFL (narrow flood)

 20° - 29°: NFL (narrow flood) bidirectional

 Ground illumination, 2 sectors

 30° - 39°: FL (flood)

 30° - 39°: FL (flood) bidirectional

 Ground illumination, 3 sectors

 40° - 69°: WFL (wide flood)

 40° - 69°: WFL (wide flood) bidirectional

 Ground illumination, 4 sectors

 >70°: VWFL (very wide flood)

 >70°: VWFL (very wide flood) bidirectional

 Adjustable

 Asymmetric

 Double asymmetric

 10° - 19°: SP (spot)

 20° - 29°: NFL (narrow flood)

 30° - 39°: FL (flood)

 40° - 69°: WFL (wide flood)

 >70°: VWFL (very wide flood)

5 years guarantee

Total quality,
integral guarantee.

Quality lighting can only be created from quality luminaires. That's why ROVASI has always maintained a commitment to only offering premium products for our lighting solutions.

We only work with the best components. This enables us to offer a total guarantee that all the luminaires we design and manufacture meet the very highest quality standards and strictly comply with current regulations.

The quality of our products is translated into security and peace of mind once the project has been completed.

Because we want to share and transmit the benefits of this quality commitment with all our customers, all our range has a guarantee for 5 years.

With the publication of the present catalogue, previous catalogues are hereby declared invalid. Reproduction of this catalogue in part or full is expressly forbidden without written permission in advance from ROVASI. The information contained in this catalogue is given as a general guide only. Certain products in this catalogue may be modified, substituted or deleted without notice or any obligation liability on the part of ROVASI. We reserve the right to make alterations in the shape, colour, construction and design of our products, without prior notice. Our policy is the constant improvement of the product. Therefore, we follow the interesting changes that the LED technology supposes. Although every effort has been made to ensure updated technical information, LED specifications performance data are constantly changing. Current details should therefore be checked with ROVASI. Updated data will be supplied on request. LED components are part of the fitting. Lighting fixtures and electrical equipment are supplied to be used at 230V-240V / 50Hz-60Hz. General terms and conditions of sale are shown on our separate price list. All ROVASI product documentation can be found at www.rovasi.com

ROVASI is a registered trademark.